

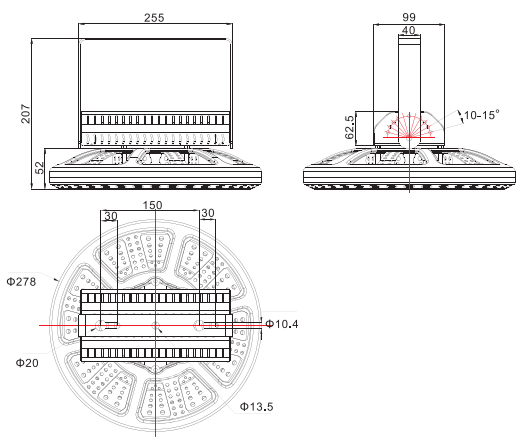
### SPECIFICATION:

<b>Power:</b>	100W
<b>CRI:</b>	80
<b>Lumen Efficiency:</b>	125lm/w
<b>Luminous Flux:</b>	12500lm
<b>Lifespan:</b>	30,000hrs
<b>IP Rating:</b>	IP65
<b>Beam:</b>	120°
<b>Input Voltage:</b>	AC200-240V
<b>Max Current:</b>	0.60A
<b>Operating Voltage:</b>	DC 42V
<b>Constant Current:</b>	2.0A
<b>Power Factor:</b>	≥0.9
<b>LED Type:</b>	SMD3030
<b>LED Qty:</b>	119PCS
<b>Operating Temperature:</b>	-20°C + 50°C
<b>Humidity Operating:</b>	10-80%RH
<b>Approvals:</b>	CE & RoHS
<b>Warranty:</b>	3 Year



### FEATURES AND BENEFITS:

- Philips 3030 SMD LED light source
- Huge size LED Chips with high brightness light output
- Integrated fixture structure, durable air convection design
- Anti-glare design
- Adopted Meanwell Driver, Universal AC Input/Full range up to AC180-295V
- Protection function: short circuit / over current / over voltage / over temperature, built-in active PFC function, PF≥0.9 and Conversion efficiency ≥90%
- Lifespan – 30,000hrs
- IP Rating – IP65
- Available in Day Light 5000K
- Available in 100W (150W, 200W & 240W options available)
- Suitable in workshops, factories, warehouses, petrol stations, supermarkets, exhibition halls and stadiums



Product Codes	Power	Lumen Efficiency	Luminous Flux	Colour Temperature	Dimension
SL-UFO-100-5K	100W	125lm/w	12500lm	5000K	Φ278 × 207mm