

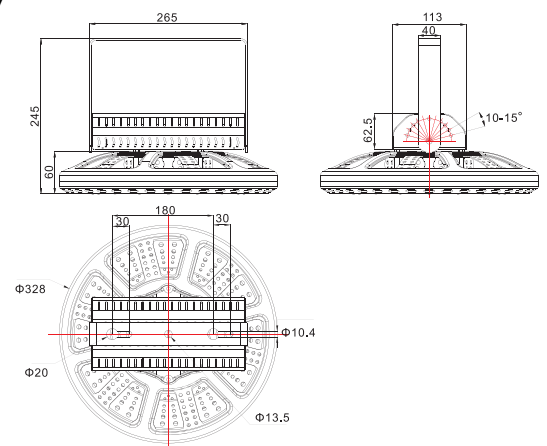
SPECIFICATION:

Power:	150W
CRI:	80
Lumen Efficiency:	125lm/w
Luminous Flux:	18750lm
Lifespan:	30,000hrs
IP Rating:	IP65
Beam:	120°
Input Voltage:	AC200-240V
Max Current:	0.90A
Operating Voltage:	DC 42V
Constant Current:	3.13A
Power Factor:	≥0.9
LED Type:	SMD3030
LED Qty:	196PCS
Operating Temperature:	-20°C + 50°C
Humidity Operating:	10-80%RH
Approvals:	CE & RoHS
Warranty:	3 Year



FEATURES AND BENEFITS:

- Philips 3030 SMD LED light source
- Huge size LED Chips with high brightness light output
- Integrated fixture structure, durable air convection design
- Anti-glare design
- Adopted Meanwell Driver, Universal AC Input/Full range up to AC180-295V
- Protection function: short circuit / over current / over voltage / over temperature, built-in active PFC function, PF≥0.9 and Conversion efficiency ≥90%
- Lifespan – 30,000hrs
- IP Rating – IP65
- Available in Day Light 5000K
- Available in 150W (100W, 200W & 240W options available)
- Suitable in workshops, factories, warehouses, petrol stations, supermarkets, exhibition halls and stadiums



Product Codes	Power	Lumen Efficiency	Luminous Flux	Colour Temperature	Dimension
SL-UFO-150-5K	150W	125lm/w	18750lm	5000K	Φ328 × 245mm