

80W SLIMLINE FLOODLIGHTS



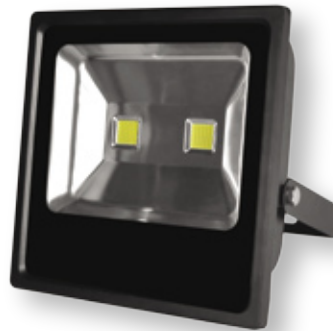
SAVE LIGHT

IP65 LED FLOODLIGHTS STANDARD & PIR VERSIONS – 80W



Features & Benefits

- Slimline Design
- IP65
- Available in Standard and PIR Version
- PIR version has a Manual override function
- Available in 10W, 20W, 30W, 50W & 80W
- Available in 3000K & 6500K
- 3 year warranty



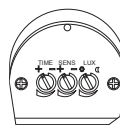
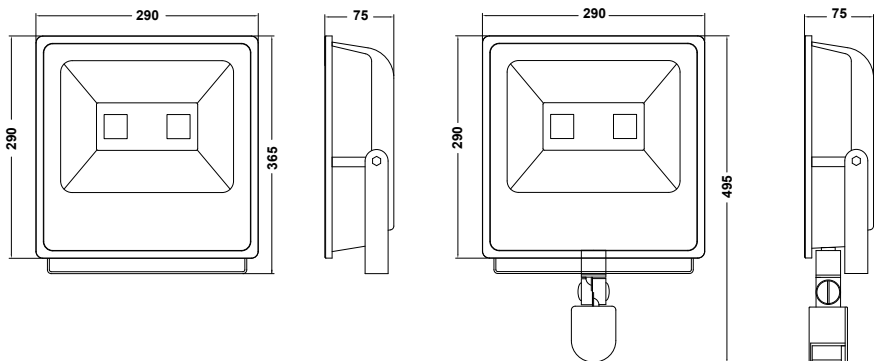
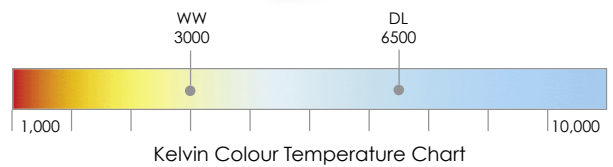
Standard



PIR

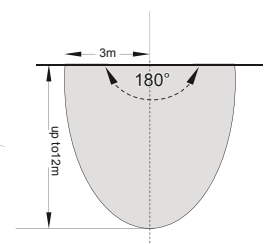
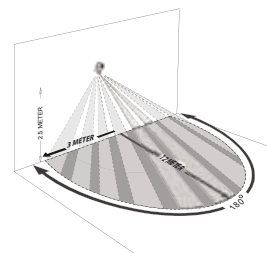
Specification

Power	80W	
Lumens	3000K	5200lm
	6500K	5600lm
LED Type	COB	
Input Voltage	AC100-240V	
Beam Angle	120°	
Life Expectancy	30,000hrs	
Switching Cycles	>40000	
Start Time	<1s	
Approvals	CE, RoHS	
Warranty	3 years	



Settings Available:
Time
Sensitivity
Lux Levels (Ambient Light)

Detection Range: 180°, 12M Max @ 2.5M Height



Parameter	Min.	Max.
Lux Levels	5 LUX	2000 LUX
Time	8s	7 Minutes

Product Code	PIR	Power Output	Lumens	Colour Temp	Beam Angle	Input Voltage	Dimensions H x W x D
FL-80W-WW	–	80W	5200lm	3000K	120°	AC100-240V	365 x 290 x 75
FL-80W-WW-PIR	Yes	80W	5200lm	3000K	120°	AC100-240V	495 x 290 x 75
FL-80W-CW	–	80W	5600lm	6500K	120°	AC100-240V	365 x 290 x 75
FL-80W-CW-PIR	Yes	80W	5600lm	6500K	120°	AC100-240V	495 x 290 x 75