

# MULTI RF RECEIVER

## RECEIVER FOR SINGLE COLOUR, DUAL COLOUR RGB & RGBW



**SAVE LIGHT**

LIGHT YEARS AHEAD



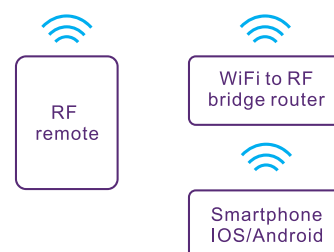
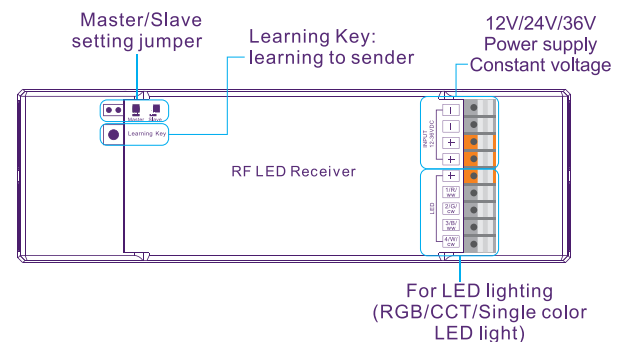
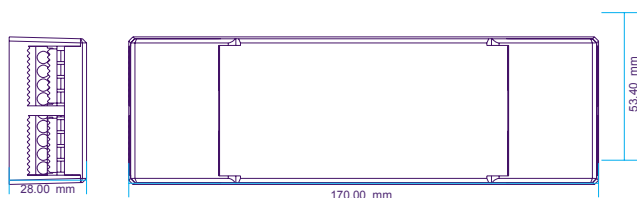
### Compatible Remote Control



RF LED STRIP Remote Control  
(16-ZONE-DIM-RGBW)

### FEATURES & BENEFITS:

- 5A 4CH 12-36VDC constant voltage RF controller
- Updated shell with easy connection terminal without screws
- Full compatibility with a variety of single colour, dual colour and RGB/RGBW RF remotes
- Multiple zones can be controlled separately or synchronously with endless receivers in each zone
- Each receiver can be controlled by 8 different remotes maximally
- Can be WiFi controlled by APP installed on IOS or Android mobile devices while working with WiFi-RF converter
- Unique receiver/repeater setting jumper

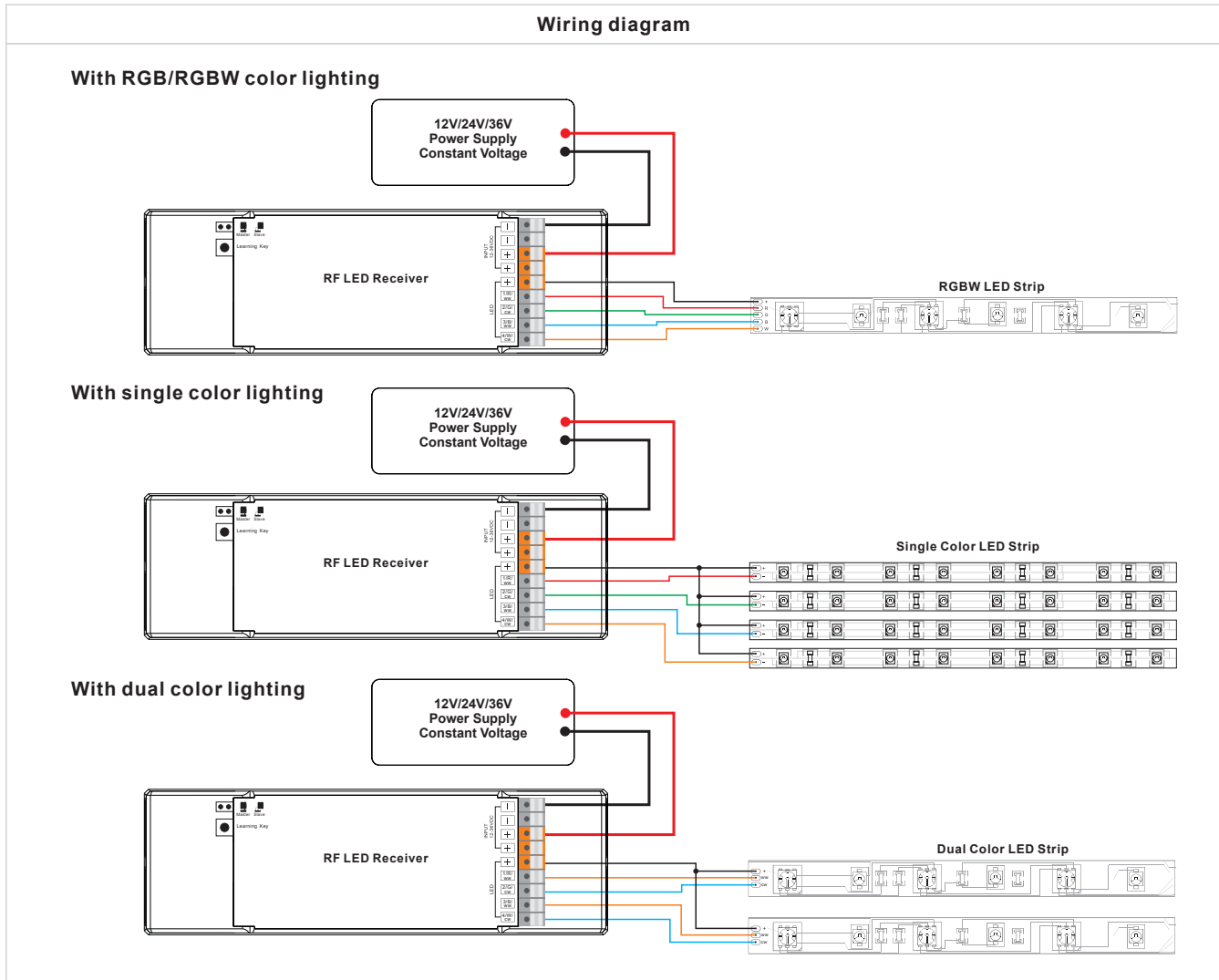


Codes	Input Voltage	Output Current	Temp Range	Dimensions (mm)
16-CON-RGBW	12-36 VDC	4CH, 5A/CH	-20°C~+40°C	53.4 x 166 x 23

# MULTI RF RECEIVER

## RECEIVER FOR SINGLE COLOUR, DUAL COLOUR RGB & RGBW

### WIRING DIAGRAM



Lorem ipsum