

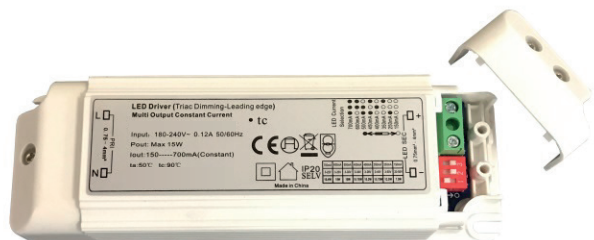
# ROGUE DIMMABLE DRIVER

15 WATT TRIAC DIMMABLE DRIVER



**SAVE LIGHT**

LIGHT YEARS AHEAD



## Features:

- Constant current mode output with multiple levels selectable by dip switch
- Protections: Short Circuit/ Over load/ Over Current
- Full protection plastic housing easy installation
- IP20 design for indoor installation
- Cooling by free air convection
- Dimming function: Triac dimmable Phase cut dimmable

Model		ROGUE-DIM-DRIVER
Output	Rated Current	700mA
	Current Tolerance	±5%
	DC Voltage	3-22V
	Rated Power	15.4W
Input	Voltage Range	180-240 VAC
	Rated Frequency	50-60HZ
	Power Factor	PF> 0.65/180VAC // PF>0.65/230VAC // PF>0.65/240VAC (Full loading)
	Full Load Efficiency	78%
	AC Current	0.17A
	Leakage Current	<0.50mA/220VAC
Protection	Short Circuit	Hiccup mode, Recovers automatically after fault condition is removed
	Over Load	120%
Environment	Working TEMP	-40 ~ +60°C
	Working Humidity	20~95%RH, non-condensing
	Storage Humidity	-40~+80°C, 10~95%RH
	TEMP Coefficient	±0.03%/°C (0~50°C)
	Vibration	10~500Hz, 5G 12min./1 cycle,period for 72 min. each along X,Y,Z axes

# ROGUE DIMMABLE DRIVER

15 WATT TRIAC DIMMABLE DRIVER

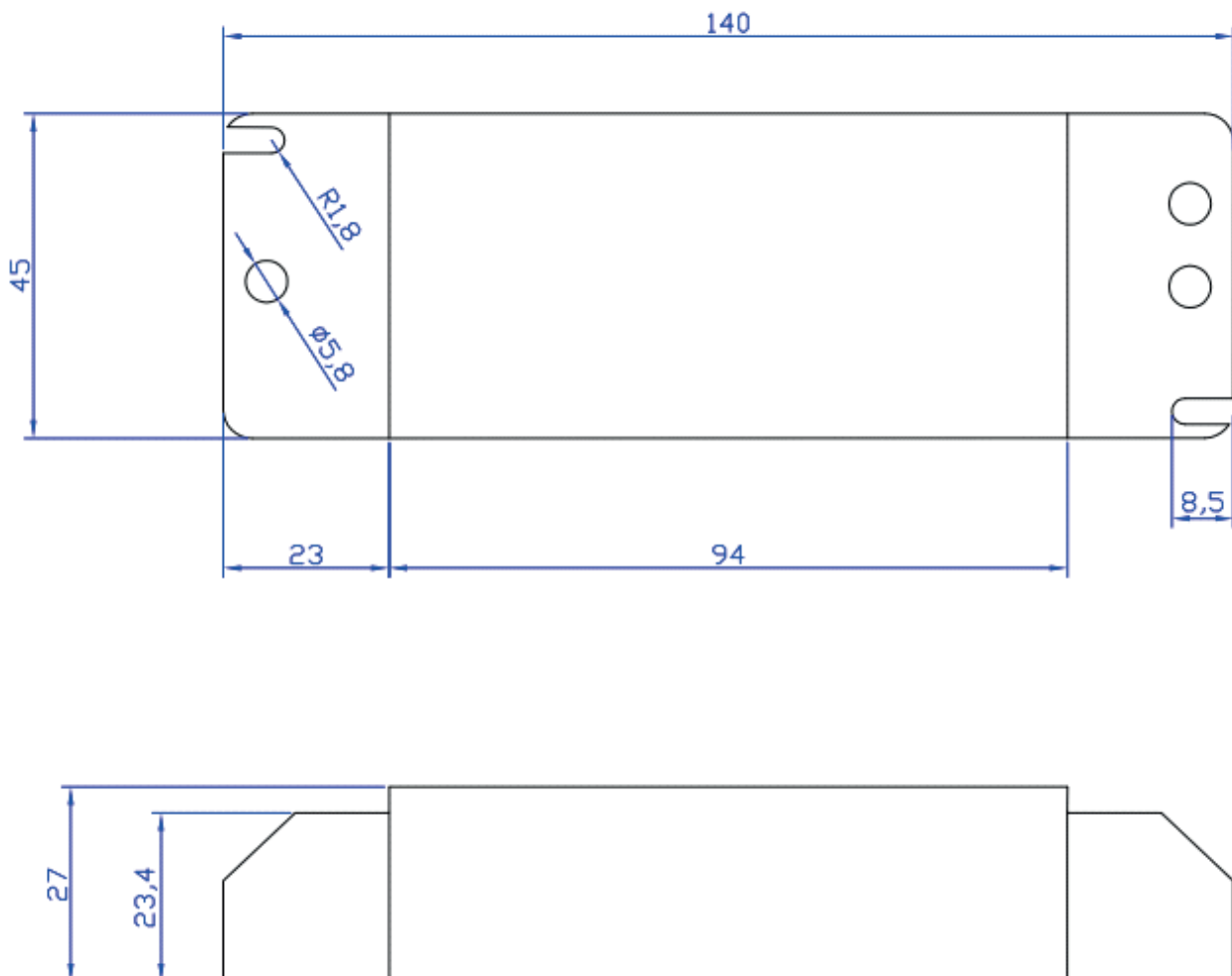


SAVE LIGHT

LIGHT YEARS AHEAD

<b>Safety &amp; EMC</b>	Safety standards	EN61347-1 EN61347-2-13
	Withstand voltage	I/P-O/P:3.75KVAC
	Isolation resistance	I/P-O/P : 100MΩ/500VDC/25/70%RH
	EMC EMISSION	Compliance to EN55015, EN61000-3-2,3 (50%load)
	EMC IMMUNITY	Compliance to EN61000-4,2,3,4,5,6,11, EN61547, A light industry level (surge4KV)
<b>Others</b>	Weight	0.19Kg
	Size	140*45*28mm (L*W*H)

## Mechanical Specification



# ROGUE DIMMABLE DRIVER

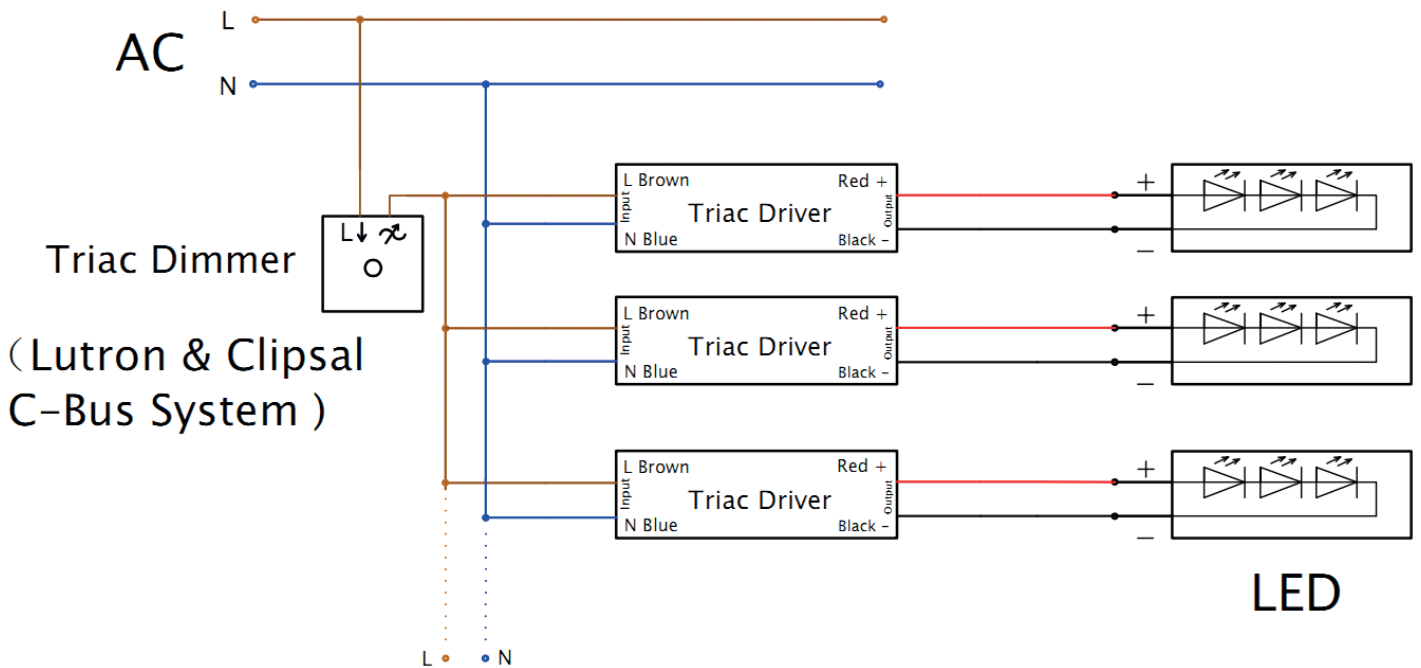
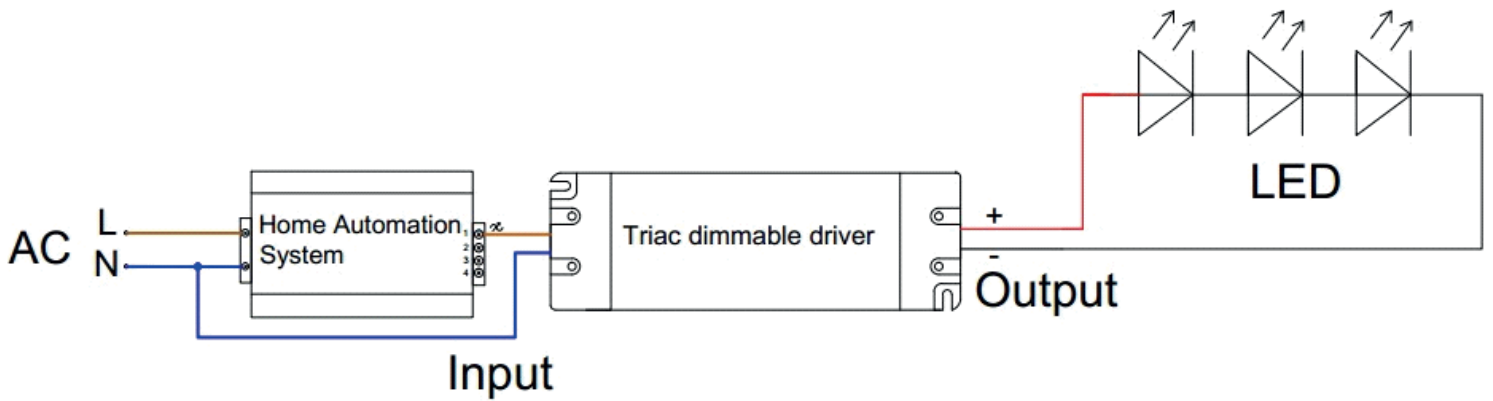
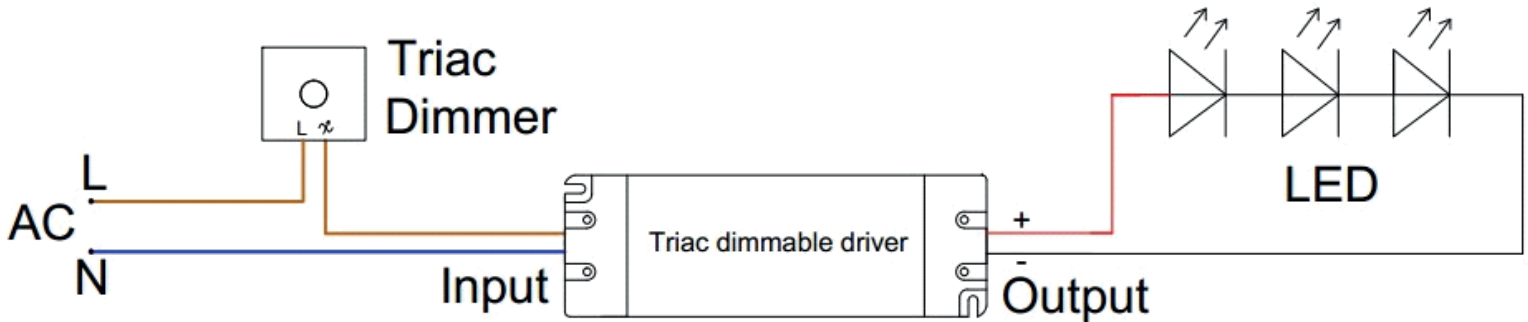
15 WATT TRIAC DIMMABLE DRIVER



SAVE LIGHT

LIGHT YEARS AHEAD

## Connection Diagrams



Web

[www.savelightuk.com](http://www.savelightuk.com)



Tel

01784 431 060



Fax

01784 557 220



E-mail

[sales@savelightuk.com](mailto:sales@savelightuk.com)

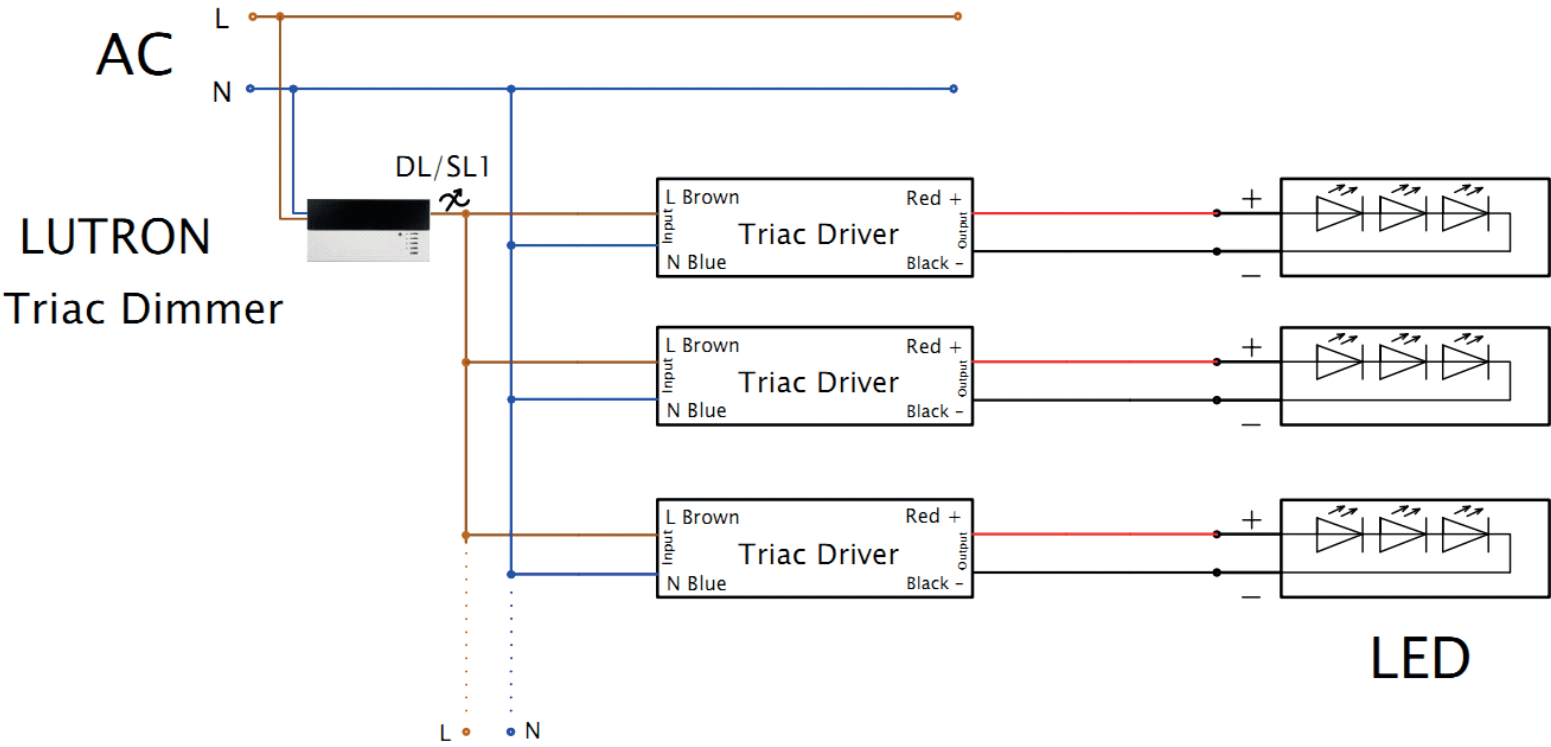
# ROGUE DIMMABLE DRIVER

15 WATT TRIAC DIMMABLE DRIVER

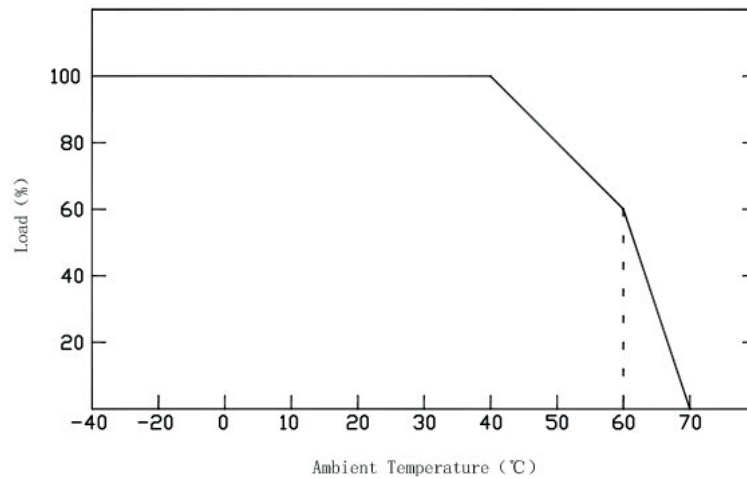


SAVE LIGHT

LIGHT YEARS AHEAD



## Derating Curve



Web

[www.savelightuk.com](http://www.savelightuk.com)



Tel

01784 431 060



Fax

01784 557 220



E-mail

[sales@savelightuk.com](mailto:sales@savelightuk.com)