

LED SQUARE PANEL



SAVE LIGHT

LED SQUARE BACKLIT PANEL – 6W, 12W, 18W

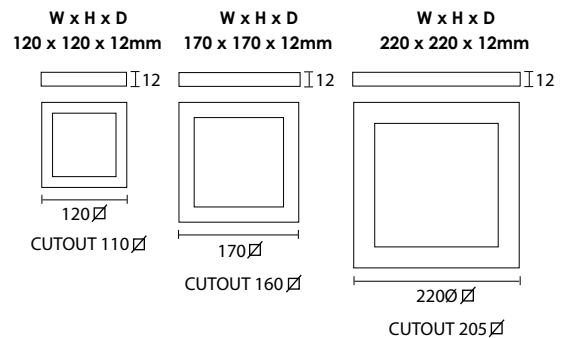
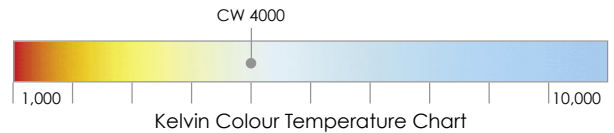


Features & Benefits

- High efficiency & energy saving. Under the condition of the same illumination, it saves more than 67% energy compared with the traditional lamp
- Long life span, using semiconductor chip as the light resource
- No UV & IR. It won't distribute ray radiation
- 50,000 hour life
- Dimmable driver available
- Emergency Pack available
- Eco-friendly, recyclable
- High performance external constant drivers, no stroboscopic, good for eyesight protection
- 3 Years warranty

Specification

Power	6W, 12W, 18W
Lumens	6W 300lm 12W 850lm 18W 1250lm
CRI	>80
Colour Temp	4000K
Beam Angle	120°
Input Voltage	AC100-240V 50/60Hz
Output Voltage	6W D12-24V 12W DC30-40V 18W DC43-60V
Finish	White
Materials	Housing: Aluminium Diffuser: Polycarbonate
Lifespan	30,000 hours
Operating Temp	-25°C ~ 60°C
Approvals	CE, RoHS
Options	-



Product Code	Power	Lumen	Colour	Life Expectancy	Operating Voltage	Dimensions	Cutout
SS-SP-6W-4K	6W	400lm	4000K	30,000hrs	AC100-240V	120 x 120 x 12	110 x 110
SS-SP-12W-4K	12W	1000lm	4000K	30,000hrs	AC100-240V	170 x 170 x 12	160 x 160
SS-SP-18W-4K	18W	1500lm	4000K	30,000hrs	AC100-240V	220 x 220 x 12	205 x 205